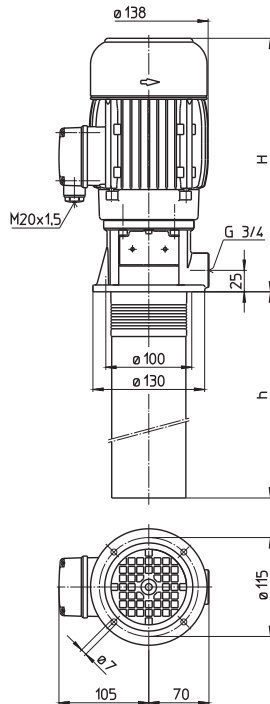
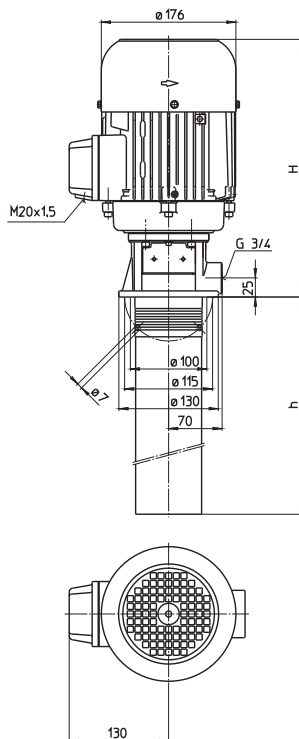


TC25/260...805



TC25/810



Type	Vol. del. at manom. del. head l/min / m	Height H mm	Depth of immersion h mm	Weight kg	Power kW	Voltage 3 ~ V	Fre- quency Hz	Rated current A	Speed 1/min
TC25/260	10/28	276	260	9.5	0.38	220-240 380-420 460	50 50 60	1.75 1.00 1.00	2750 2750 3250
TC25/340	10/45	276	335	11.5	0.5	220-240 380-420 460	50 50 60	2.42 1.40 1.40	2800 2800 3300
TC25/430	10/63	276	430	12.5	0.63	220-240 380-420 460	50 50 60	2.6 1.5 1.5	2750 2750 3250
TC25/550	10/85	314	565	15.5	1.1	220-240 380-420 460	50 50 60	5.0 2.9 2.9	2700 2700 3300
TC25/805	10/110	314	810	18	1.2	220-240 380-420 460	50 50 60	4.7 2.7 2.7	2750 2750 3250
TC25/810	10/140	337	810	26	1.3	220-240 380-420 460	50 50 60	5.2 3.0 3.0	2850 2850 3400

Immersion Pumps

Our multistage pump models TC25...TC460 have been especially developed to supply **internally cooled tools** with coolant fluid.

Closed impellers provide optimal hydraulic efficiencies while minimizing power consumption.

For alternating machining using **internally** and **externally cooled tools**, these models are available with Y/YY-configured **pole-changing motor** (Dahlander) for optional changeover to **half speed** operation.

A frequency converter can be supplied for **special applications** or for matching the pump characteristic to a specific duty point.

See page "Control/Regulation" in the Technical Information section of this catalog for further information.

Extended length is possible. See mechanical/hydraulic features within the technical information section.

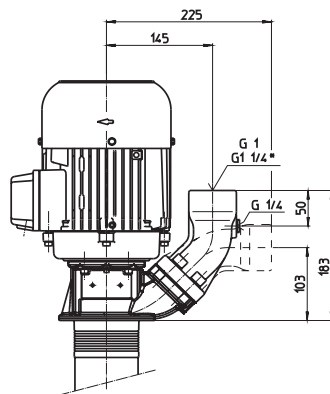


Applications

Types of fluid
 water
 coolants
 cooling/cutting oils

Kinematic viscosity
 ...25 mm²/s (25 cSt)

Pumping temperature
 0...60° C



Construction

Pump body	cast iron
Pump shell	steel
Cover	PBTP
Intake strainer	steel
Impellers	PBTP
Shaft	steel
Mechanical seal	SiC
O-rings	Viton

Optional:
 Pole-changing motor 4 - 2 poles
 Pump body bronze
 CrNi-steel

Noise level
 TC25/260...TC25/805 58 dBA
 TC25/810 63 dBA

Upon request
 all STC pumps are available with an SAE flange
 *) Dimensions STC160

