

Immersion Pumps

Our multistage pump models TC25...TC460 have been especially developed to supply **internally cooled tools** with coolant fluid.

Closed impellers provide optimal hydraulic efficiencies while minimizing power consumption.

For alternating machining using **internally** and **externally cooled tools**, these models are available with Y/YY-configured **pole-changing motor** (Dahlander) for optional changeover to **half speed** operation.

A **frequency converter** can be supplied for **special applications** or for matching the pump characteristic to a specific duty point.

See page "Control/Regulation" in the Technical Information section of this catalog for further information.

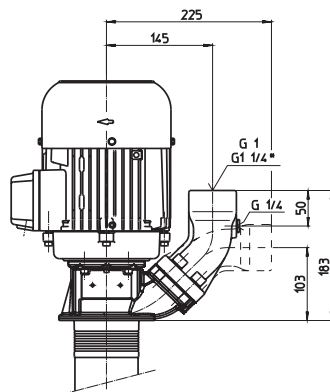
Extended length is possible. See mechanical/hydraulic features within the technical information section.

Applications

Types of fluid
water
coolants
cooling/cutting oils

Kinematic viscosity
...25 mm²/s (25 cSt)

Pumping temperature
0...60° C



Construction

Pump body	cast iron
Pump shell	steel
Cover	PBTP
Intake strainer	steel
Impellers	PBTP
Shaft	steel
Mechanical seal	SiC
O-rings	Viton

Optional:

Pole-changing motor	4 - 2 poles
Pump body	bronze CrNi-steel

Noise level

TC40/260...TC40/550	58 dBA
TC40/715...TC40/720	63 dBA

Upon request
all STC pumps are available with an SAE flange
) Dimensions STC160

