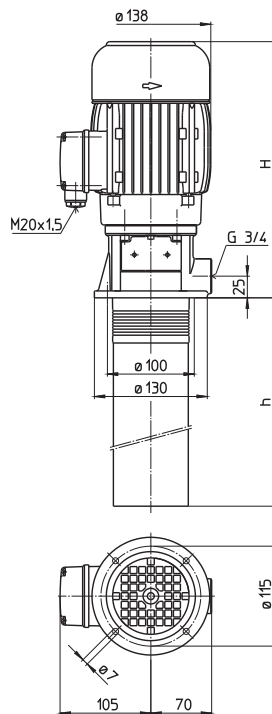
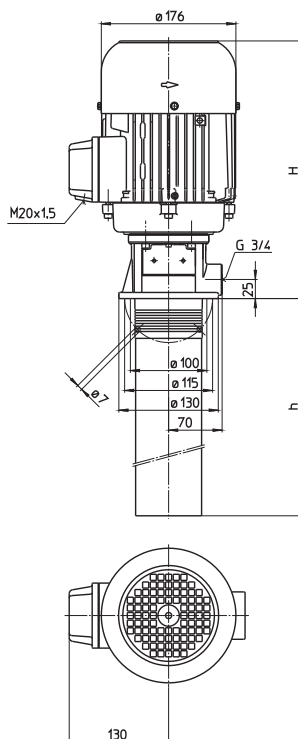


TC63/270...440



TC63/560...750



Type	Vol. del. at manom. del. head l/min /m	Height H mm	Depth of im- mersion h mm	Weight kg	Power kW	Voltage 3 ~ V	Fre- quency Hz	Rated current A	Speed 1/min
TC63/270	60/20	276	275	11	0.63	220-240 380-420 460	50 50 60	2.6 1.5 1.5	2750 2750 3250
TC63/350	60/30	294	340	13	0.85	220-240 380-420 460	50 50 60	4.3 2.5 2.5	2800 2800 3300
TC63/440	60/40	314	440	15	1.1	220-240 380-420 460	50 50 60	5.0 2.9 2.9	2700 2700 3300
TC63/560	60/55	337	565	24	1.7	220-240 380-420 460	50 50 60	7.1 4.1 4.1	2850 2850 3400
TC63/745	60/77	377	755	27	1.9	220-240 380-420 460	50 50 60	8.5 4.9 4.9	2850 2850 3400
TC63/750	60/90	387	755	30	2.6	220-240 380-420 460	50 50 60	10.9 6.3 6.3	2850 2850 3400

Immersion Pumps

Our multistage pump models TC25...TC460 have been especially developed to supply **internally cooled tools** with coolant fluid.

Closed impellers provide optimal hydraulic efficiencies while minimizing power consumption.

For alternating machining using **internally** and **externally cooled tools**, these models are available with YYY-configured **pole-changing motor** (Dahlander) for optional changeover to **half speed** operation.

A **frequency converter** can be supplied for **special applications** or for matching the pump characteristic to a specific duty point.

See page "Control/Regulation" in the Technical Information section of this catalog for further information.

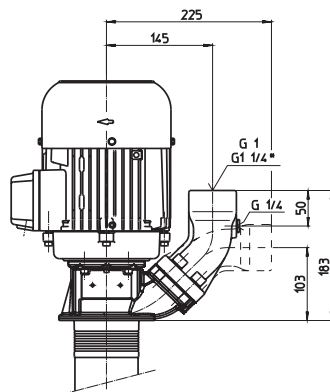
Extended length is possible. See mechanical/hydraulic features within the technical information section.

Applications

Types of fluid
 water
 coolants
 cooling/cutting oils

Kinematic viscosity
 ...90 mm²/s (90 cSt)

Pumping temperature
 0...60° C



Construction

Pump body	cast iron
Pump shell	steel
Cover	PBTP
Intake strainer	steel
Impellers	PBTP
Shaft	steel
Mechanical seal	SiC
O-rings	Viton
Optional: Pole-changing motor Pump body	4 - 2 poles bronze CrNi-steel

Noise level	
TC63/270...TC63/440	58 dBA
TC63/560...TC63/750	63 dBA

Upon request
 all STC pumps are available with an SAE flange
 *) Dimensions STC160

