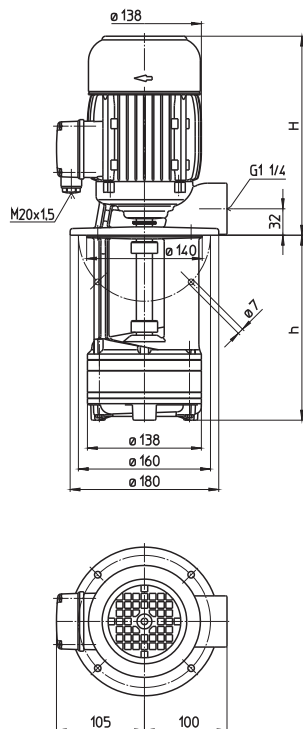
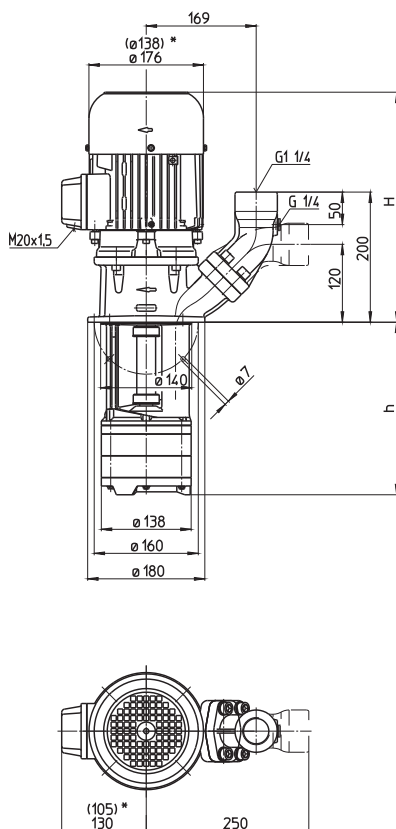


## TE141, 142



## STE141...146



\*) Dimensions for STE141, 142

Type	Vol. del. at manom. del. head l/min /m	Height H mm	Depth of im- mersion h mm	Weight kg	Power kW	Voltage 3 ~ V	Fre- quency Hz	Rated current A	Speed 1/min
<b>TE141/200</b>	80/11	223	200	12.5	0.5	220-240	50	2.42	2800
	270		270	13.5		380-420	50	1.40	2800
	350		350	14.5		460	60	1.40	3300
	440		440	15.5					
	550		550	17.5					
<b>TE142/150</b>	80/20	261	150	15	1.1	220-240	50	5.0	2700
	230		230	16		380-420	50	2.9	2700
	300		300	17		460	60	2.9	3300
	380		380	18					
	470		470	19					
	580		580	21					
<b>STE141/120</b>	80/11	293	120	14	0.54	220-240	50	2.42	2800
	200		200	15		380-420	50	1.40	2800
	270		270	16		460	60	1.40	3300
	350		350	17					
	440		440	18					
	550		550	19					
<b>STE142/150</b>	80/20	331	150	18	1.1	220-240	50	5.0	2700
	230		230	19		380-420	50	2.9	2700
	300		300	20		460	60	2.9	3300
	380		380	21					
	470		470	22					
	580		580	23					
<b>STE143/190</b>	80/33	355	185	28	1.5	220-240	50	6.6	2850
	270		265	29		380-420	50	3.8	2850
	340		335	30		460	60	3.8	3400
	420		415	31					
	510		505	32					
	620		615	33					
<b>STE144/220</b>	80/45	355	220	29	1.7	220-240	50	7.1	2850
	300		300	30		380-420	50	4.1	2850
	370		370	31		460	60	4.1	3400
	450		450	32					
	540		540	33					
	650		650	34					
<b>STE145/270</b>	80/56	395	270	34	2.2	220-240	50	9.2	2850
	350		350	35		380-420	50	5.3	2850
	420		420	36		460	60	5.3	3400
	500		500	37					
	590		590	38					
	700		700	39					
<b>STE146/300</b>	80/70	405	305	34	2.6	220-240	50	10.9	2850
	380		385	35		380-420	50	6.3	2850
	450		455	36		460	60	6.3	3400
	530		535	37					



# Immersion pumps semi-open impellers

# TE/STE141-146

## Immersion Pumps

are plain centrifugal pumps with the impeller fitted on the driving shaft extension. They are mounted on top of the container, the pump extension being immersed in the coolant.

The dimensions are based on standard specification **EN 12157**.

The maximum coolant level must stay a few mm/inches below the mounting flange.

The STE serie offers a **(SAE) flange** with pressure gauge connection port.

The flange can be rotated for either horizontal or vertical pipe connections.



All types are also available as quick-suctioning immersion pumps equipped with **"BRINKMANN's Suction De-aeration System"**. See series TL/STL.



## Applications

Types of fluid  
coolants  
cooling/cutting oils  
Kinematic viscosity  
...90 mm<sup>2</sup>/s (90 cSt)  
Pumping temperature  
0...60° C

## Construction

Pump body	cast iron
Cover	cast iron PPS (TE141, STE141)
Impellers	PPS
Shaft	steel
Optional: Cover	cast iron (TE141, STE141)
Suction cover Impellers	with threaded inlet brass cast steel
Other materials	on request

Noise level  
TE141...STE142 60 dBA  
STE143...STE146 68 dBA

