

High pressure pumps

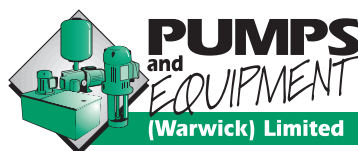
Screw spindles

TFS/FFS - 348 - 364 - 376

50 Hz

2-pole motor rotation speed 2900 RPM							4-pole motor rotation speed 1450 RPM					
Pressure max.	Flow at viscosity		Power consumption at viscosity		Motor	Weight	Flow at viscosity		Power consumption at viscosity		Motor	Weight
	1 mm ² /s	20 mm ² /s	1 mm ² /s	20 mm ² /s			1 mm ² /s	20 mm ² /s	1 mm ² /s	20 mm ² /s		
Type / bar	l/min	l/min	kW	kW	kW	kg	l/min	l/min	kW	kW	kW	kg
TFS 348/	Q_{Th}¹⁾ 64.1	–	–	–	–	–	Q_{Th}¹⁾ 32.1	–	–	–	–	–
10	60.0	62.3	1.5	1.6	2.2	47	28.0	30.3	0.7	0.8	1.1	44
20	58.5	61.5	2.5	2.8	3.0	52	26.5	29.4	1.2	1.3	1.5	46
30	57.1	60.7	3.6	3.9	4.0	63	25.0	28.6	1.8	1.9	2.2	53
40	55.7	59.9	4.7	5.1	5.5	73	23.6	27.9	2.3	2.4	3.0	58
50	54.4	59.2	5.7	6.2	7.5	86	22.3	27.1	2.8	3.0	3.0	58
60	53.1	58.5	6.8	7.3	11.0	104	21.1	26.5	3.4	3.5	4.0	65
70	51.9	57.9	7.9	8.5	11.0	104	19.8	25.8	3.9	4.1	5.5	75
80	50.7	57.3	8.9	9.6	11.0	104	18.7	25.2	4.4	4.7	5.5	75
90	49.6	56.7	10.0	10.7	15.0	113	–	24.6	–	5.2	5.5	75
100	48.6	56.1	11.1	11.8	15.0	113	–	24.1	–	5.8	7.5	90
110	–	55.6	–	13.0	15.0	113	–	–	–	–	–	–
120	–	55.2	–	14.2	15.0	113	–	–	–	–	–	–
130	–	54.7	–	15.3	18.5	133	–	–	–	–	–	–
140	–	54.4	–	16.4	18.5	133	–	–	–	–	–	–
150	–	54.0	–	17.6	18.5	133	–	–	–	–	–	–
TFS 364/	Q_{Th}¹⁾ 85.5	–	–	–	–	–	Q_{Th}¹⁾ 42.8	–	–	–	–	–
10	79.9	83.0	1.8	2.0	3.0	52	37.1	40.3	0.9	0.9	1.1	44
20	78.1	82.0	3.3	3.5	4.0	63	35.3	39.2	1.6	1.7	2.2	53
30	76.3	81.0	4.7	5.0	5.5	73	33.6	38.3	2.3	2.4	3.0	58
40	74.6	80.1	6.1	6.5	7.5	86	31.9	37.4	3.0	3.2	4.0	65
50	73.0	79.2	7.5	8.0	11.0	104	30.2	36.5	3.7	3.9	4.0	65
60	71.4	78.4	9.0	9.5	11.0	104	28.7	35.7	4.4	4.7	5.5	75
70	69.9	77.6	10.4	10.9	15.0	113	27.1	34.9	5.1	5.4	5.5	75
80	68.4	76.9	11.8	12.4	15.0	113	25.6	34.1	5.9	6.1	7.5	90
90	66.9	76.1	13.2	13.9	15.0	113	–	33.4	–	6.9	7.5	90
100	65.5	75.5	14.7	15.4	18.5	133	–	32.7	–	7.6	11.0	112
110	–	74.8	–	16.9	18.5	133	–	–	–	–	–	–
120	–	74.3	–	18.4	22.0	162	–	–	–	–	–	–
TFS 376/	Q_{Th}¹⁾ 101.5	–	–	–	–	–	Q_{Th}¹⁾ 50.8	–	–	–	–	–
10	95.2	98.5	2.1	2.4	4.0	63	44.5	47.8	1.0	1.2	1.5	46
20	93.1	97.3	3.8	4.2	5.5	73	42.3	46.6	1.8	2.1	2.2	53
30	91.0	96.2	5.5	6.0	7.5	86	40.3	45.4	2.7	3.0	3.0	58
40	89.0	95.1	7.2	7.9	11.0	104	38.2	44.4	3.5	3.9	4.0	65
50	87.0	94.1	8.9	9.7	11.0	104	36.2	43.3	4.4	4.8	5.5	75
60	85.0	93.1	10.6	11.5	15.0	113	34.3	42.4	5.2	5.7	7.5	90
70	83.1	92.2	12.2	13.3	15.0	113	32.3	41.4	6.1	6.6	7.5	90
80	81.2	91.3	13.9	15.1	18.5	133	30.4	40.5	6.9	7.4	7.5	90
90	79.3	90.4	15.6	16.9	18.5	133	–	39.7	–	8.4	11.0	112
100	77.5	89.6	17.3	18.8	22.0	162	–	38.9	–	9.2	11.0	112
110	–	88.9	–	20.6	22.0	162	–	–	–	–	–	–
120	–	88.2	–	22.4	30.0	219	–	–	–	–	–	–

¹⁾ Q_{Th}: Theoretical flow rate
Higher pressures (up to 200 bar) upon request

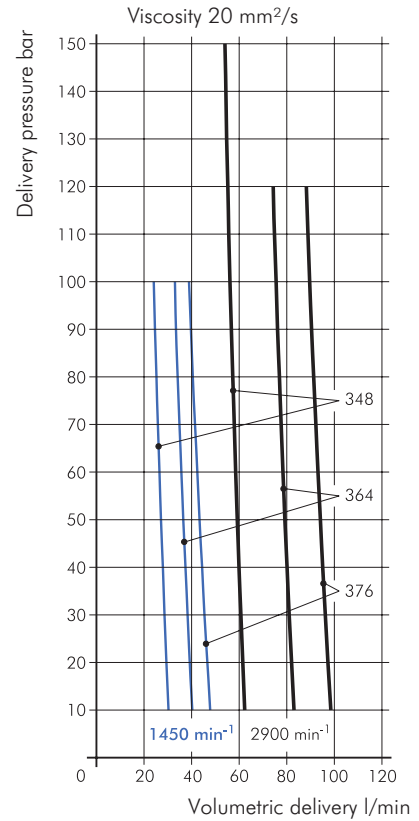
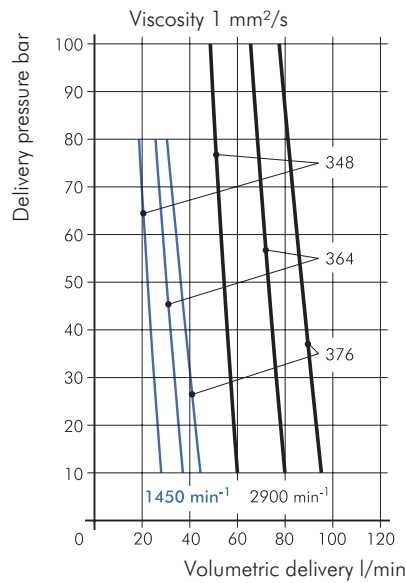
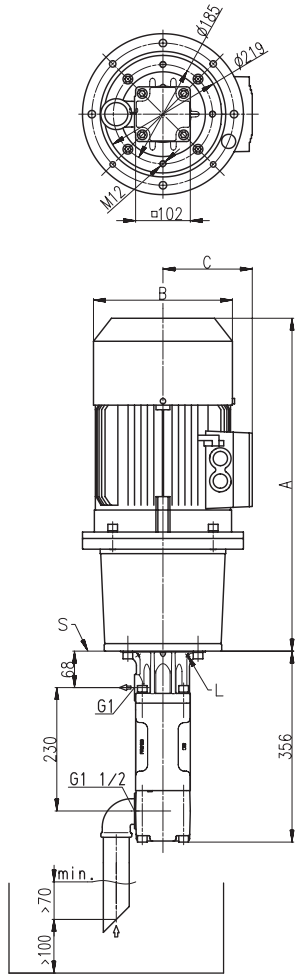


High pressure pumps

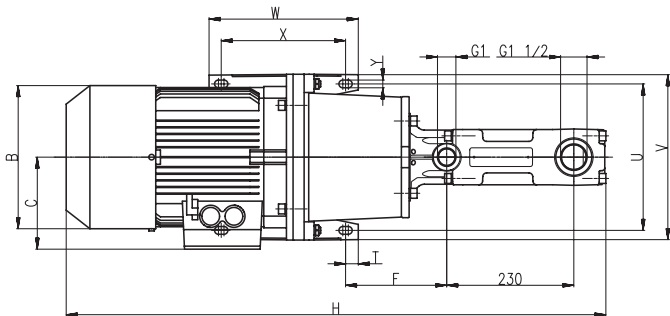
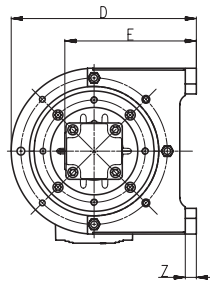
Screw spindles

TFS/FFS - 348 - 364 - 376

50 Hz



L = Leakage hole
S = Mounting plate, please find the cut-out of mounting hole on page 43.



Motor 2 pole kW	Motor 4 pole kW	A	B	C	D	E	F	H	T	U	V	W	X	Y	Z
		mm	mm	mm	mm	mm	mm	mm	mm	mm	mm	mm	mm	mm	mm
-	1.1	444	180	128	212	165	138	800	15.0	180	210	90	60	11	12
2.2	1.5	471	183	128	212	165	138	827	15.0	180	210	90	60	11	12
3.0	2.2	536	203	135	280	208	179	892	22.5	215	250	230	185	14	15
-	3.0	571	203	135	280	208	179	927	22.5	215	250	230	185	14	15
4.0	4.0	562	227	148	280	208	179	918	22.5	215	250	230	185	14	15
5.5	5.5	583	267	167	335	238	183	939	22.5	265	300	270	225	14	18
7.5	7.5	659	267	167	335	238	183	1015	22.5	265	300	270	225	14	18
11.0 / 15.0	11.0	748	320	197	410	288	223	1104	20.0	300	350	305	265	18	18
18.5	15.0	828	320	197	410	288	223	1184	20.0	300	350	305	265	18	18
22.0	18.5 / 22.0	873	363	258	410	288	223	1228	20.0	300	350	305	265	18	18
30.0	30.0	930	402	305	400	253	473	1287	25.0	318	398	355	305	25	34



Pumps & Equipment (Warwick) Ltd. 6 Collins Road Heathcote Industrial Estate, Warwick CV34 6TF
Telephone: 01926 451744 | Fax: 01926 451284 | www.pumps-equip.co.uk