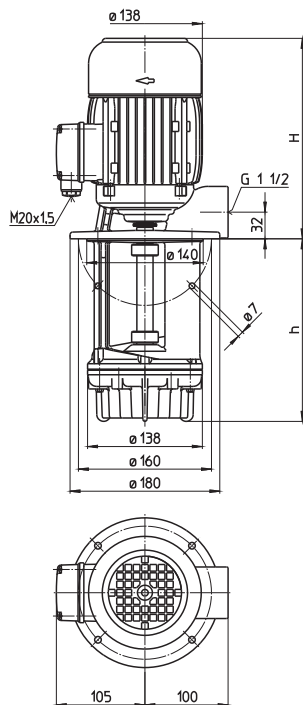


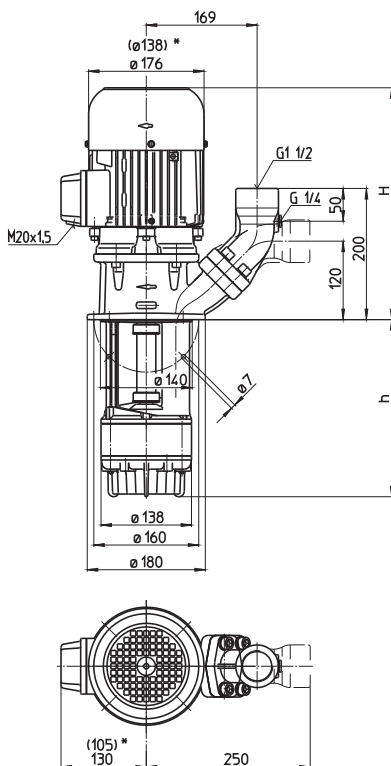
# Quick suctioning immersion pumps TGL/SGL331-333

## Axial/semi-open impellers

### TGL331

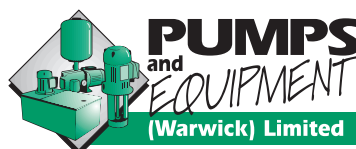


### SGL331...333



\*) Dimensions for SGL331

Type	Vol. del. at manom. del. head l/min /m	Height H mm	Depth of immersion h mm	Weight kg	Power kW	Voltage 3 ~ V	Fre- quency Hz	Rated current A	Speed 1/min
<b>TGL331/140</b>	200/5	241	140	13.5	0.85	220-240	50	4.3	2800
<b>220</b>			220	14.5					
<b>290</b>			290	15.5					
<b>370</b>			370	16.5					
<b>460</b>			460	17.5					
<b>570</b>			570	18.5					
<b>SGL331/140</b>	200/5	311	140	16	0.85	220-240	50	4.3	2800
<b>220</b>			220	17					
<b>290</b>			290	18					
<b>370</b>			370	19					
<b>460</b>			460	20					
<b>570</b>			570	21					
<b>770</b>			770	22					
<b>920</b>			920	23					
<b>SGL332/190</b>	200/12	355	190	31	1.3	220-240	50	5.2	2850
<b>270</b>			270	32					
<b>340</b>			340	33					
<b>420</b>			420	34					
<b>510</b>			510	35					
<b>620</b>			620	37					
<b>820</b>			820	38					
<b>970</b>			970	39					
<b>SGL333/240</b>	200/19	355	240	33	1.7	220-240	50	7.1	2850
<b>320</b>			320	34					
<b>390</b>			390	35					
<b>470</b>			470	37					
<b>560</b>			560	38					
<b>670</b>			670	39					
<b>870</b>			870	40					
<b>1020</b>			1020	41					



# Quick suctioning immersion pumps TGL/SGL331-333

## Axial/semi-open impellers

### Quick Suctioning Immersion Pumps

series TGL/SGL equipped with the patented "BRINKMANN's Suction De-aeration System" are excellently suited to pumping **extremely inflated fluids** (grinding oils) as they occur in **high-speed grinding**.

The quick suctioning immersion pumps reach stable working conditions as soon as the liquid level reaches the suction inlet.

The SGL serie offers a **(SAE) flange** with pressure gauge connection port.

The flange can be rotated for either horizontal or vertical pipe connections.



### Applications

Types of fluid  
 water  
 coolants  
 cooling/cutting oils  
 grinding oils  
 Kinematic viscosity  
 ...90 mm<sup>2</sup>/s (90 cSt)  
 Pumping temperature  
 0...80° C

### Construction

Pump body	cast iron
Cover	cast iron
Impeller axial	cast steel
Impeller radial	cast steel
Shaft	steel

