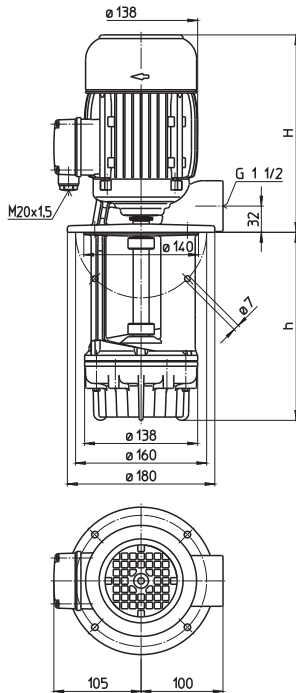


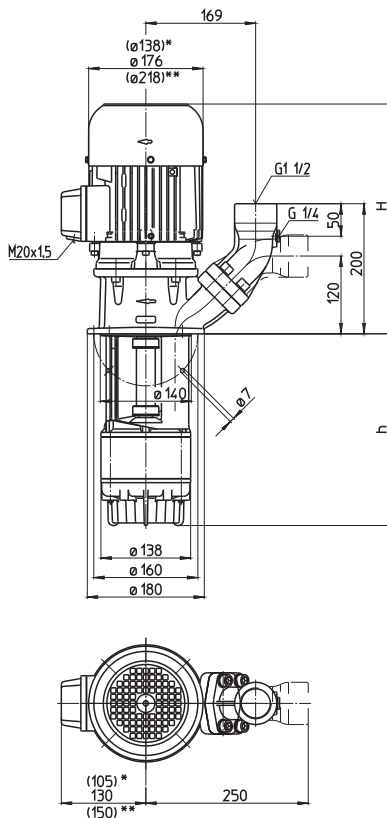
# Quick suctioning immersion pumps TGL/SGL501-503

## Axial/semi-open impellers

### TGL501



### SGL501...503



\*) Dimensions for SGL501

\*\*\*) Dimensions for SGL503

Type	Vol. del. at manom. del. head l/min /m	Height H mm	Depth of im- mersion h mm	Weight kg	Power kW	Voltage 3 ~ V	Fre- quency Hz	Rated current A	Speed 1/min
<b>TGL501/150</b>	250/6	261	150	15.0	1.1	220-240	50	5.0	2700
<b>230</b>			230	16.5					
<b>300</b>			300	17.5					
<b>380</b>			380	18.5					
<b>470</b>			470	19.5					
<b>580</b>			580	20.5					
<b>SGL501/150</b>	250/6	331	150	17	1.1	220-240	50	5.0	2700
<b>230</b>			230	18					
<b>300</b>			300	19					
<b>380</b>			380	20					
<b>470</b>			470	21					
<b>580</b>			580	22					
<b>780</b>			780	25					
<b>930</b>			930	26					
<b>SGL502/220</b>	250/15	395	215	35	2.2	220-240	50	9.2	2850
<b>300</b>			295	36					
<b>370</b>			365	37					
<b>450</b>			445	38					
<b>540</b>			535	39					
<b>650</b>			645	41					
<b>850</b>			845	43					
<b>1000</b>			995	44					
<b>SGL503/280</b>	250/23	445	280	50	3.3	220-240	50	13.8	2900
<b>360</b>			360	51					
<b>430</b>			430	52					
<b>510</b>			510	53					
<b>600</b>			600	54					
<b>710</b>			710	55					
<b>910</b>			910	57					
<b>1060</b>			1060	58					



# Quick suctioning immersion pumps TGL/SGL501-503

## Axial/semi-open impellers

### Quick Suctioning Immersion Pumps

series TGL/SGL equipped with the patented "BRINKMANN's Suction De-aeration System" are excellently suited to pumping **extremely inflated fluids** (grinding oils) as they occur in **high-speed grinding**.

The quick suctioning immersion pumps reach stable working conditions as soon as the liquid level reaches the suction inlet.

The SGL serie offers a **(SAE) flange** with pressure gauge connection port.

The flange can be rotated for either horizontal or vertical pipe connections.



### Applications

Types of fluid  
 water  
 coolants  
 cooling/cutting oils  
 grinding oils  
 Kinematic viscosity  
 ...90 mm<sup>2</sup>/s (90 cSt)  
 Pumping temperature  
 0...80° C

### Construction

Pump body	cast iron
Cover	cast iron
Impeller axial	cast steel
Impeller radial	cast steel
Shaft	steel

