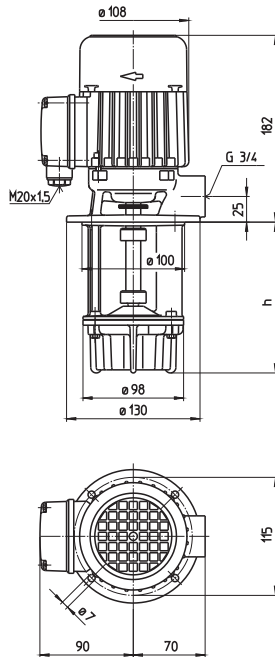


Quick suctioning immersion pumps

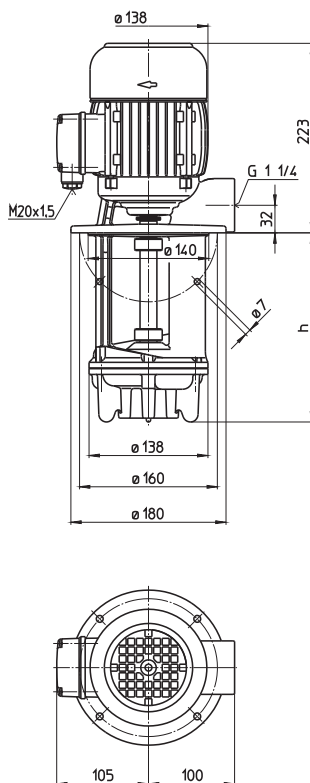
Axial/semi-open impellers

TL50-TAL200

TL50



TAL200



Type	Vol. del. at manom. del. head l/min /m	Height H mm	Depth of immersion h mm	Weight kg	Power kW	Voltage 3 ~ V	Fre- quency Hz	Rated current A	Speed 1/min
TL50/110	40/2	182	120	6.2	0.22	220-240	50	0.95	2700
140			145	6.4					
190			195	6.6					
240			245	7.0					
290			295	7.5					
370			375	8.1		460	60	0.55	3200
TAL200/140	200/4	223	140	13	0.55	220-240	50	2.50	2750
220			220	14					
290			290	15					
370			370	16					
460			460	17					
570			570	18					



Quick suctioning immersion pumps

Axial/semi-open impellers

TL50-TAL200

Quick Suctioning Immersion Pumps

equipped with the patented "BRINK-MANN's Suction De-aeration System" are excellently suited to pumping **extremely inflated fluids** (emulsions resp. cooling/cutting oils) as they occur in heavy cutting when turning, milling or grinding. The quick suctioning immersion pumps reach stable working conditions as soon as the liquid level reaches the suction inlet.

Applications

Types of fluid
 water
 coolants
 cooling/cutting oils
 Kinematic viscosity
 ...90 mm²/s (90 cSt)
 Pumping temperature
 0...80° C

Construction

Pump body	cast iron
Cover	cast iron
Impeller axial	cast iron
Impeller radial	brass
Shaft	steel
Optional: Impeller radial	cast steel

