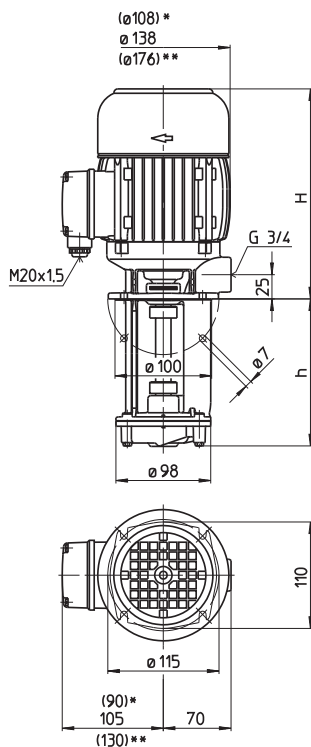
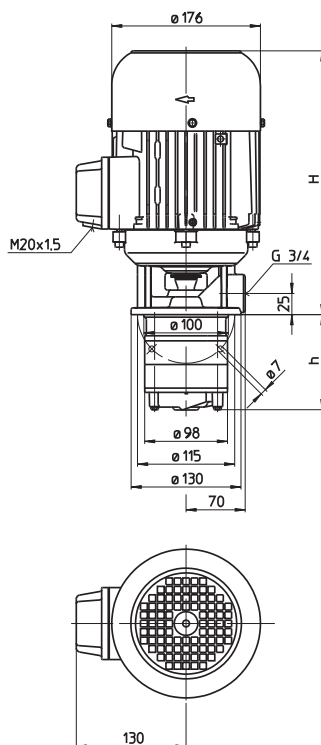


TS12, 13, 21, 22 TS24



TM24, 26



*) Dimensions for TS12, 13

**) Dimensions for TS24

Type	Vol. del. at manom. del. head l/min /m	Height H mm	Depth of immersion h mm	Weight kg	Power kW	Voltage 3 ~ V	Fre- quency Hz	Rated current A	Speed 1/min
TS12/110	20/10	178	110	5.4	0.27	220-240 380-420 460	50 50 60	1.10 0.63 0.63	2800 2800 3300
150			150	5.6					
190			190	5.8					
250			250	6.1					
300			300	6.5					
TS13/110	20/15	211	110	6.3	0.4	220-240 380-420 460	50 50 60	1.55 0.90 0.90	2700 2700 3200
150			150	6.5					
190			190	6.7					
250			250	7.0					
300			300	7.4					
TS21/110	40/15	217	110	7.8	0.63	220-240 380-420 460	50 50 60	2.6 1.5 1.5	2750 2750 3250
150			150	8.0					
190			190	8.2					
250			250	8.5					
300			300	8.9					
350			350	9.3					
TS22/110	40/25	235	110	9.7	0.92	220-240 380-420 460	50 50 60	4.7 2.7 2.7	2700 2700 3300
150			150	9.9					
190			190	10.1					
250			250	10.4					
300			300	10.8					
350			350	11.2					
TS24/140	40/35	300	140	20	1.7	220-240 380-420 460	50 50 60	7.1 4.1 4.1	2850 2850 3400
180			180	21					
220			220	22					
TM24/110	20/65	313	110	21	1.7	220-240 380-420 460	50 50 60	7.1 4.1 4.1	2850 2850 3400
150			150	22					
TM26/140	20/100	348	140	28	2.6	220-240 380-420 460	50 50 60	10.9 6.3 6.3	2850 2850 3400
180			180	29					



Immersion Pumps

Models TS12 to TM26 are suitable for **CNC machine tools** featuring coolant supply through the tool holder or driving spindle or equipped with internally cooled tool.

These pumps are equipped with a peripheral impeller to achieve a compact high pressure unit.

Series TS/TM are suitable for filtered coolant only.

To reduce pump pressure, models TS22 to TM26 are also available with an optional Y/YY (Dahlander) motor configuration for 4 pole operation at half speed.



Special versions of the TS pumps can be supplied for use with temperature controlling systems carrying thermal oils of up to 150° C resp. 200° C.



Applications

Types of fluid

- water
- coolants
- cooling/cutting oils

Kinematic viscosity

...90 mm²/s (90 cSt)

Pumping temperature

0...80° C
...150° C (200° C) as special make (TS)

Construction

Pump body	cast iron
Cover	cast iron
Impellers	brass
Shaft	steel
Mechanical seal	graphite based (TM)
Optional:	
Pump body	bronze (TS12...TS22)
Cover	bronze (TS12...TS22)
Impellers	CrNi-steel (TS12...TS22)

Noise level

TS12...TS13	54 dBA
TS21...TS22	64 dBA
TM24...TM26	66 dBA
TS24	67 dBA

