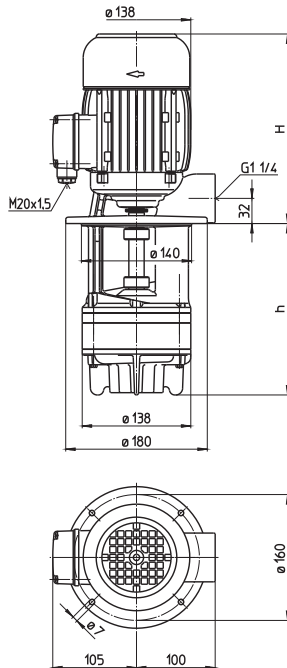


Quick suctioning immersion pumps

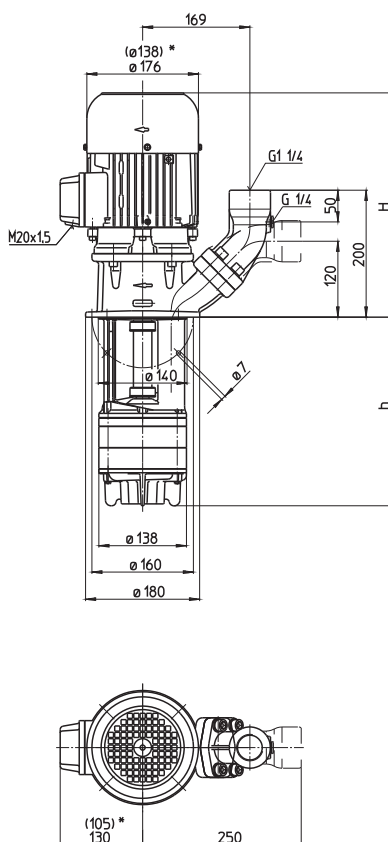
Axial/semi-open impellers

TL/STL141-146

TL141, 142



STL141...146



*) Dimensions for STL141, 142

Type	Vol. del. at manom. del. head l/min /m	Height H mm	Depth of immersion h mm	Weight kg	Power kW	Voltage 3 ~ V	Fre- quency Hz	Rated current A	Speed 1/min
TL141/150	100/10	223	150	14.0	0.55	220-240 380-420 460	50 50 60	2.50 1.45 1.45	2750 2750 3250
230			230	14.5					
300			300	15.0					
380			380	15.5					
470			470	17.5					
580			580	19.0					
TL142/180	100/20	261	180	17	1.1	220-240 380-420 460	50 50 60	5.0 2.9 2.9	2700 2700 3300
260			260	18					
330			330	19					
410			410	20					
500			500	21					
610			610	22					
STL141/150	100/10	293	150	16.0	0.54	220-240 380-420 460	50 50 60	2.42 1.40 1.40	2800 2800 3300
230			230	16.5					
300			300	17.0					
380			380	17.5					
470			470	19.5					
580			580	21.0					
STL142/180	100/20	331	180	20	1.1	220-240 380-420 460	50 50 60	5.0 2.9 2.9	2700 2700 3300
260			260	21					
330			330	22					
410			410	23					
500			500	24					
610			610	25					
STL143/220	100/30	355	215	30	1.5	220-240 380-420 460	50 50 60	6.6 3.8 3.8	2850 2850 3400
300			295	31					
370			365	32					
450			445	33					
540			535	34					
650			645	35					
STL144/250	100/40	355	250	31	1.7	220-240 380-420 460	50 50 60	7.1 4.1 4.1	2850 2850 3400
330			330	32					
400			400	33					
480			480	34					
570			570	35					
680			680	36					
STL145/300	100/50	395	300	36	2.2	220-240 380-420 460	50 50 60	9.2 5.3 5.3	2850 2850 3400
380			380	37					
450			450	38					
530			530	39					
620			620	40					
730			730	41					
STL146/330	100/62	405	335	36	2.6	220-240 380-420 460	50 50 60	10.9 6.3 6.3	2850 2850 3400
410			415	37					
480			485	38					
560			565	39					



Quick suctioning immersion pumps

Axial/semi-open impellers

TL/STL141-146

Quick Suctioning Immersion Pumps

equipped with the patented "BRINK-MANN's Suction De-aeration System" are excellently suited to pumping **extremely inflated fluids** (emulsions resp. cooling/cutting oils) as they occur in heavy cutting when turning, milling or grinding. The quick suctioning immersion pumps reach stable working conditions as soon as the liquid level reaches the suction inlet.

The STL serie offers a **(SAE) flange** with pressure gauge connection port. The flange can be rotated for either horizontal or vertical pipe connections.



Applications

Types of fluid
 water
 coolants
 cooling/cutting oils
 Kinematic viscosity
 ...90 mm²/s (90 cSt)
 Pumping temperature
 0...80° C

Construction

Pump body	cast iron
Cover	cast iron
Impeller axial	cast iron
Impeller radial	brass
Shaft	steel
Optional: Impeller radial	cast steel

